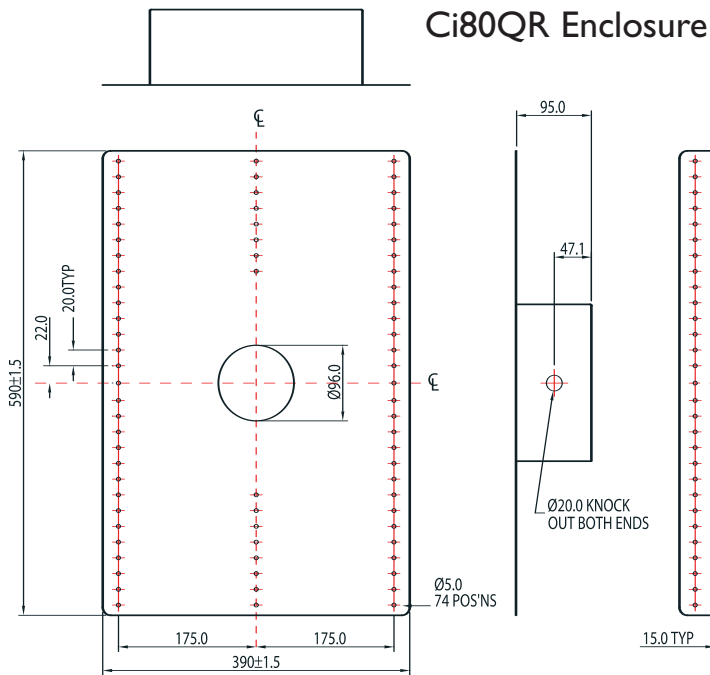
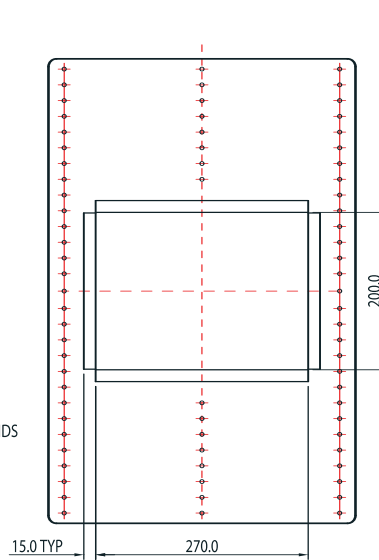


Ci Rear Enclosures

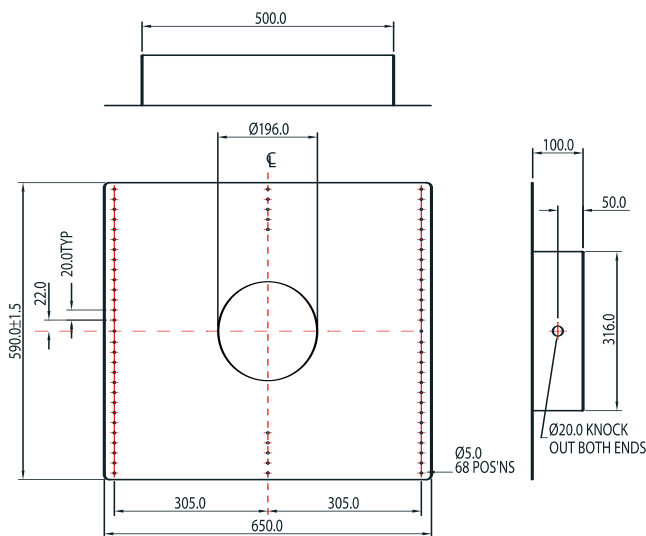
Information Sheet



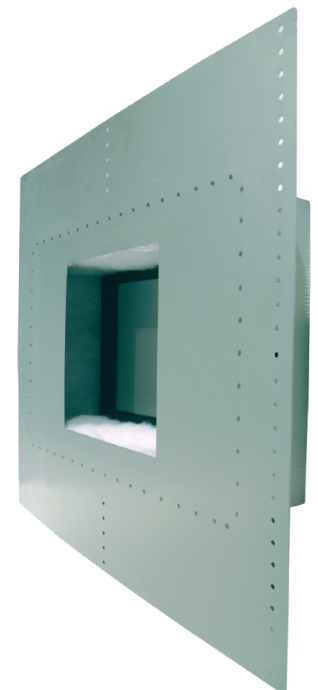
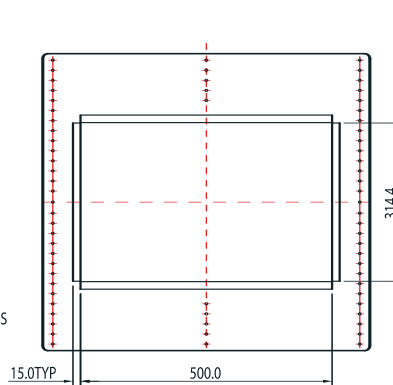
Ci100QR Enclosure



Ci160.2QR Enclosure



Ci200.2QS Enclosure



The new range of purpose built and acoustically optimised rear enclosures are designed to provide consistent output from any KEF Ci Series loudspeakers wherever they are situated within the installation. Each has been specially created to complement the output

capabilities of the Ci Series in-wall/ceiling range, whether round or square. Easy to install at the first fix stage of room construction with variable mounting plate dimensions and fixings to suit any bespoke or standard joist beam configurations.

“Rough-in” frames are also available to speed up the installation of KEF Ci Series products into any single or multi-room system.

The new range of rear enclosures and rough-in frames, designed to make custom installations easier and acoustically perfect.

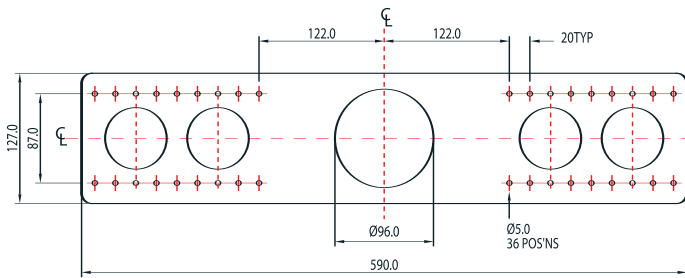
Ci series
custom installation speakers



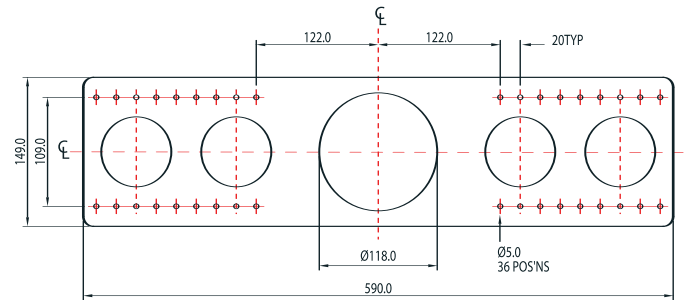
Ci Rough-In Frames

Information Sheet

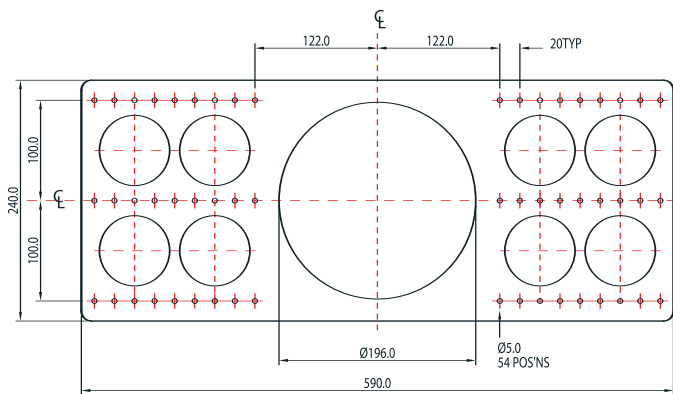
Ci80QR Rough-In frame



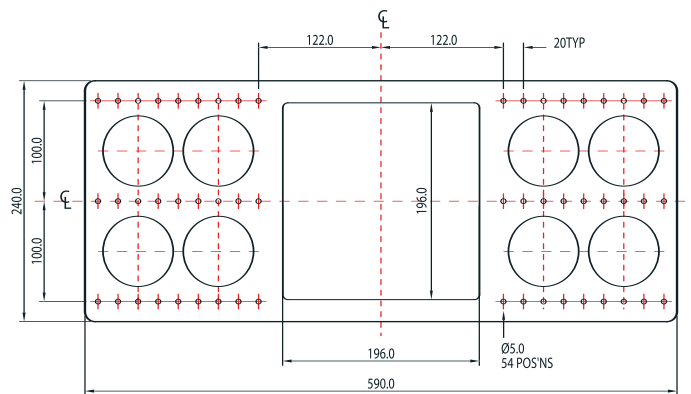
Ci100QR Rough-In frame



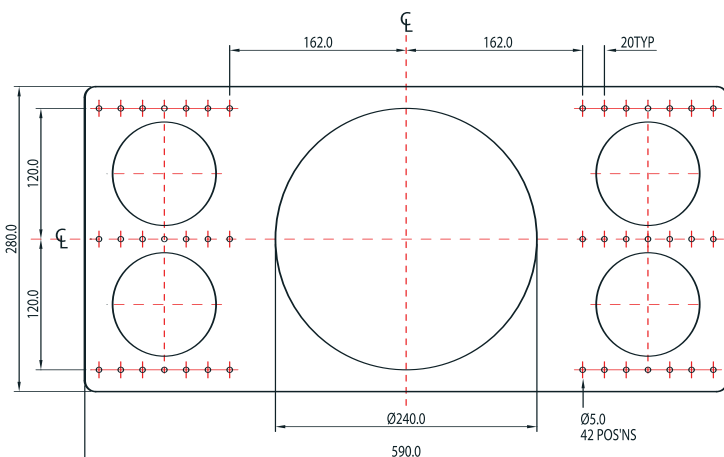
Ci160.2FR Rough-In frame



Ci160.2FS Rough-In frame



Ci200.2QR Rough-In frame



Ci200.2QS Rough-In frame

